

Dear Customer!

**If hardware is missing or parts
get damaged in shipping,
DO NOT RETURN THE ENTIRE ITEM.
We can replace hardware and any parts.**

**For the best Customer Service experience,
visit our website at**

www.boltonfurniture.com

**Click on the Replacement Parts Tab
at the top of the page to order replacement
hardware or parts.**

**We will ship the replacements directly to
you.**

ASSEMBLY INSTRUCTIONS

Twin Twin Mod Bunk Bed

Thank you for purchasing this quality product. Be sure to check all packing materials carefully for small parts which may have come loose inside the carton during shipment. Separate, identify and count all parts and hardware. Compare with the parts list to be sure all parts are present.



**“TO ALLOW FOR TOLERANCE DURING ASSEMBLY,
DO NOT FIRMLY TIGHTEN BOLTS & SCREWS UNTIL COMPLETELY ASSEMBLED”**

SIZE OF MATTRESS

This bed is designed to use a twin mattress which is 74-75" long and 37½" - 39⅛" wide on upper and lower bunk. The total thickness of Mattress and Foundation should not exceed 7 inches. Do not use mattress without proper safe foundation.

SAFETY WARNINGS!

- 1-Follow the information on the warning label appearing on the upper bunk end structure and on the carton. Do not remove warning label from bed.
- 2-Always use the recommended size mattress or mattress support, or both, to help prevent the likelihood of entrapment or falls.
- 3-Surface of mattress must be at least 5 inches below the upper edge of guardrails.
- 4-Do not allow children under 6 years of age to use the upper bunk.
- 5-Prohibit more than one person on upper bunk.
- 6-Periodically check and ensure that the guardrail, ladder and other components are in their proper position, free from damage, and that all connectors are tight.
- 7-Do not allow horseplay on or under the bed and prohibit jumping on the bed.
- 8-Always use the ladder for entering and leaving the upper bunk.
- 9-Do not use substitute parts. Contact distributor or dealer for replacement parts.
- 10-Use of a night light may provide added safety precaution for a child using the upper bunk.
- 11-If the bunk bed will be placed next to a wall, the guardrail that runs the full length of the bed should be placed against the wall to prevent entrapment between the bed and the wall.
- 12-Always use guardrails on both long sides of the upper bunk.
- 13-The use of water or sleep flotation mattresses is prohibited.
- 14-Keep these instructions for future reference.

STRANGULATION HAZARD

Never attach or hang items to any part of the bunk bed that are not designed for use with the bed. For example, but not limited to hooks, belts or jump ropes.

..Warning - On Beds with finials that can be configured as Bunk beds!

Effective on Bunk Beds manufactured on or after March 10th, 2008, finials cannot be used.

The finials provided with certain beds, which are part of the design of the bed, are to be used only in one of the lower configuration - that is as a Twin, Full, Queen or King configuration.

These finials are never to be used in the upper structure in a Bunk Bed configuration.

Using the finials in the upper structure of a Bunk Bed will create a strangulation hazard.

Never use finials in the upper structure of a Bunk Bed.

A flat Mushroom Cap made to conform to the requirement is provided to take place of finials in the upper structure in Bunk bed configurations.

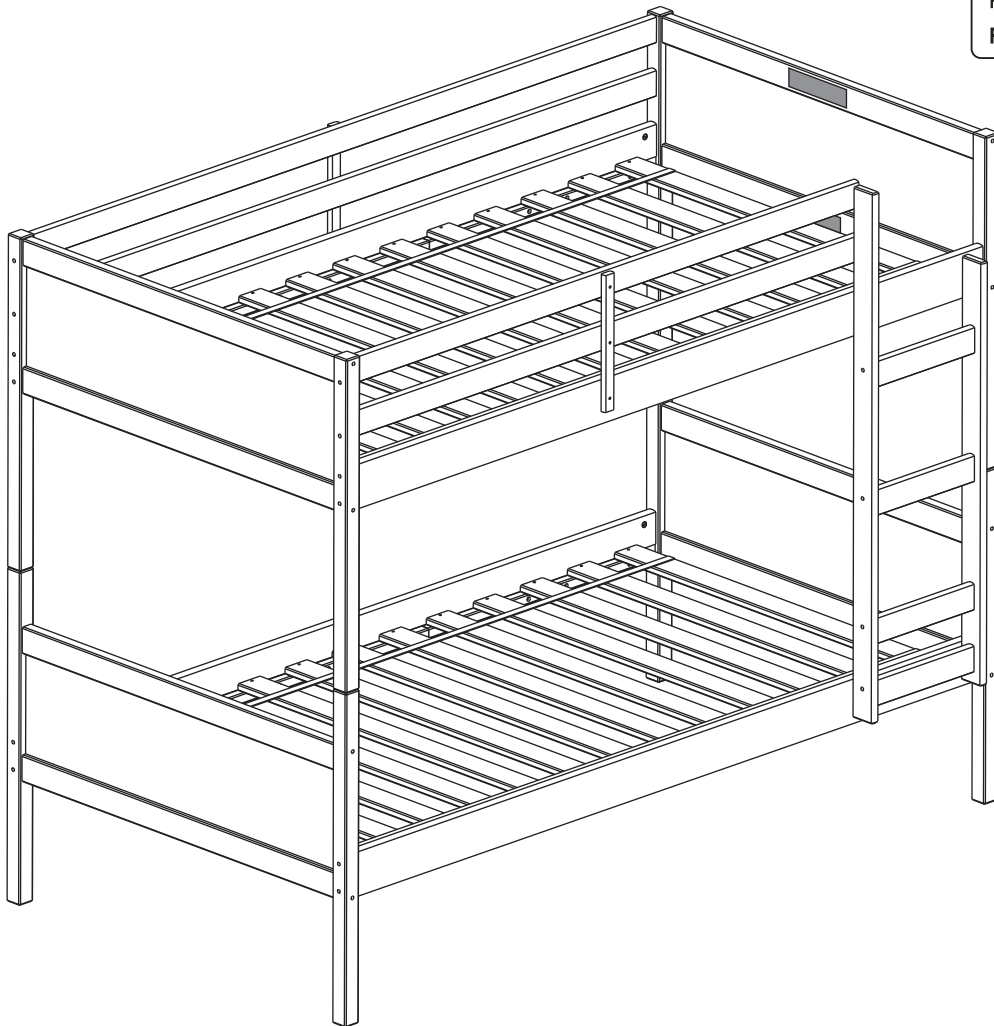


IMPORTANT: PLEASE READ INSTRUCTIONS BEFORE STARTING THE ASSEMBLY



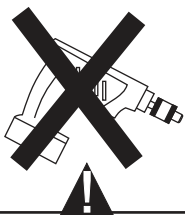
ASSEMBLY INSTRUCTIONS

TWIN TWIN MOD BUNK BED

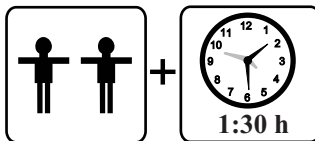


REPLACEMENT PARTS

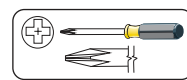
Please do not contact the company purchased from as we can help you faster.
Order replacement parts and hardware at "boltonfurniture.com"



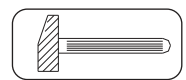
* Use of power tool to assemble this product will invalidate any claim and damage this product making it unsafe!!!
* Please assemble on a clean soft surface to avoid damage.



Tools Required

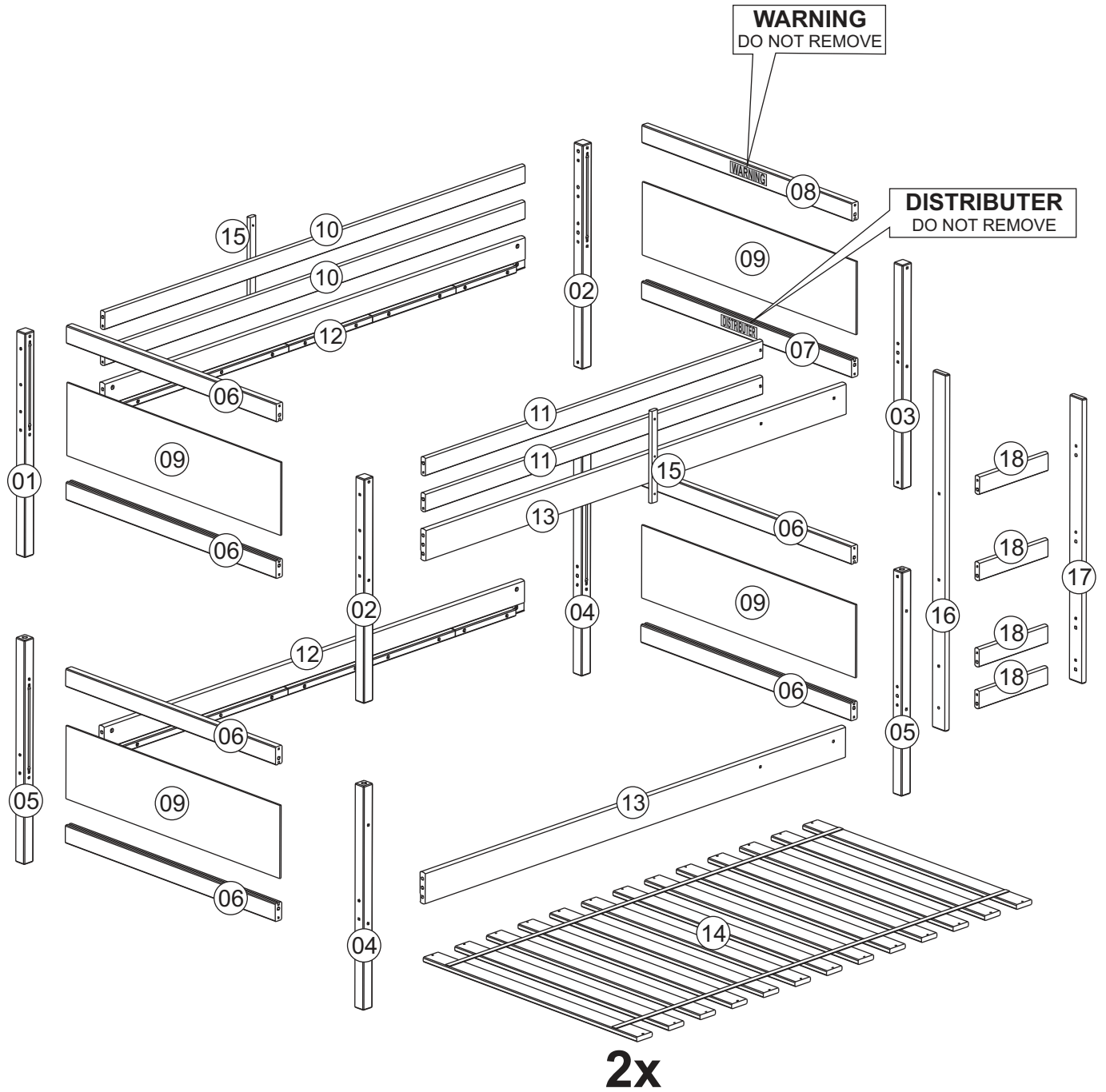


(Not included)

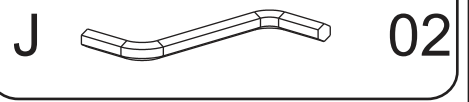
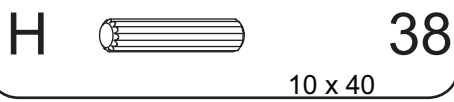
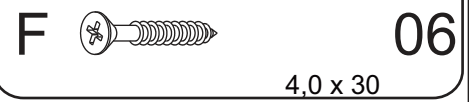
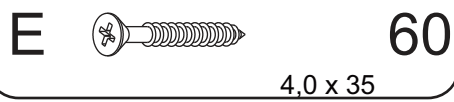
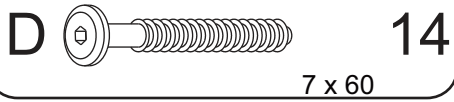
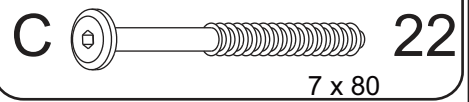
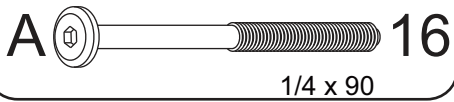


(Not included)

Part List - Twin Twin Bunk Bed



Identifying the Hardware - Identifying the Hardware using the illustrations below.



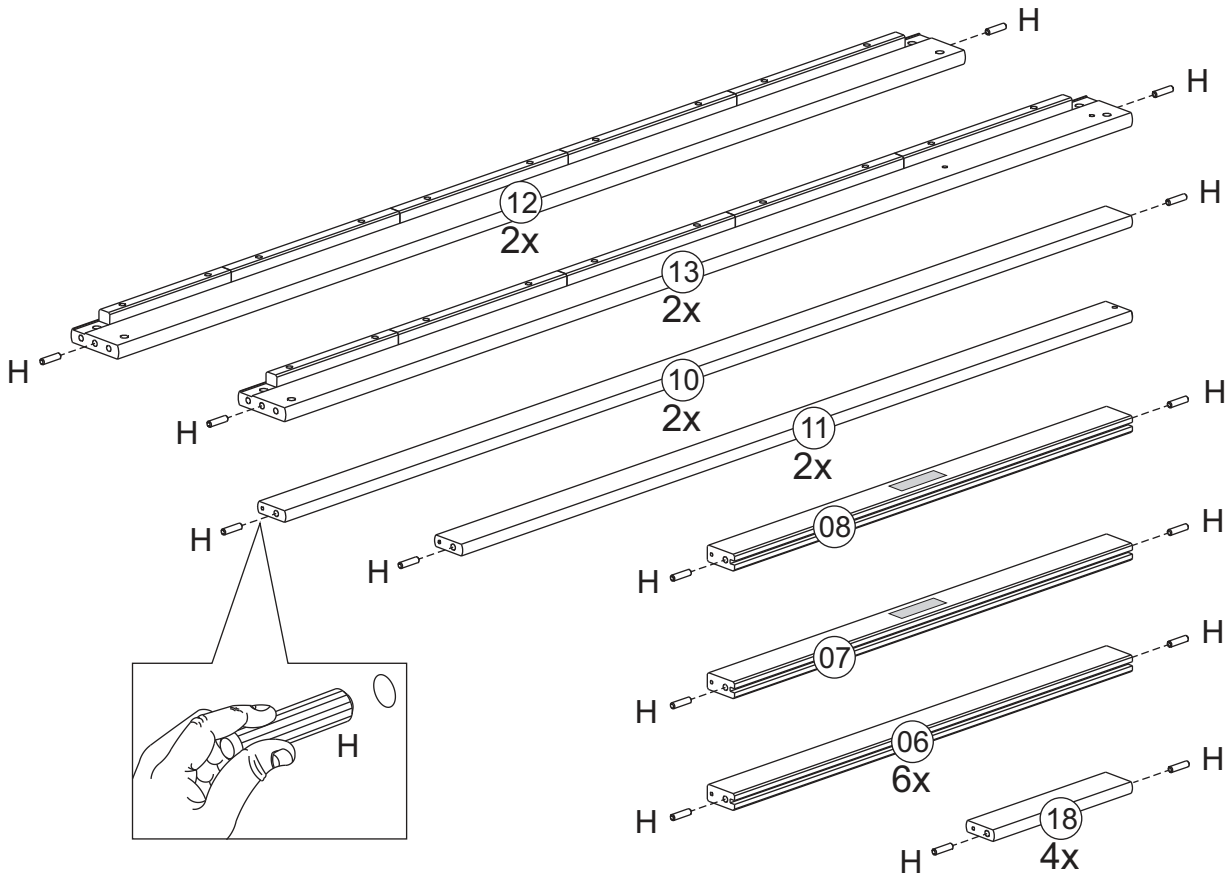
01

H



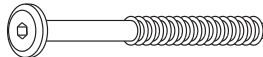
38

10 x 40



02

C



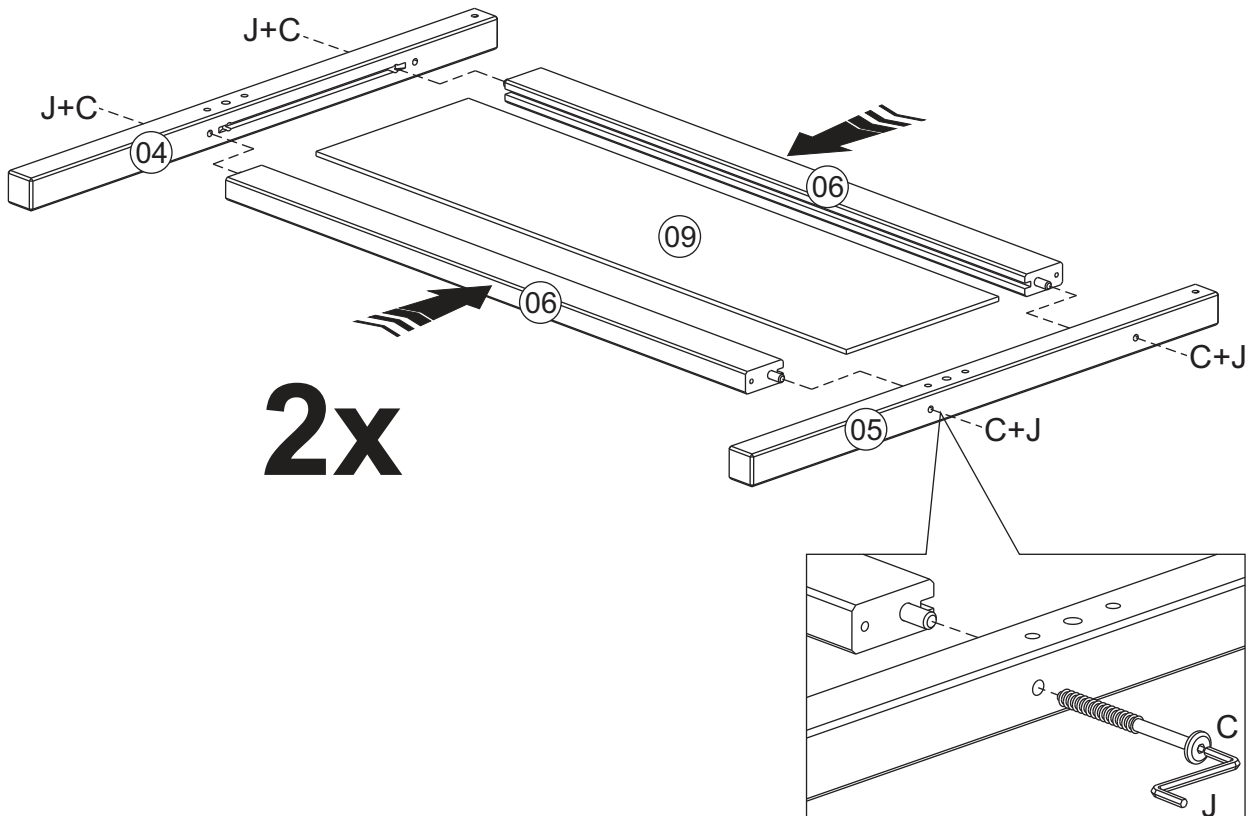
08

7 x 80

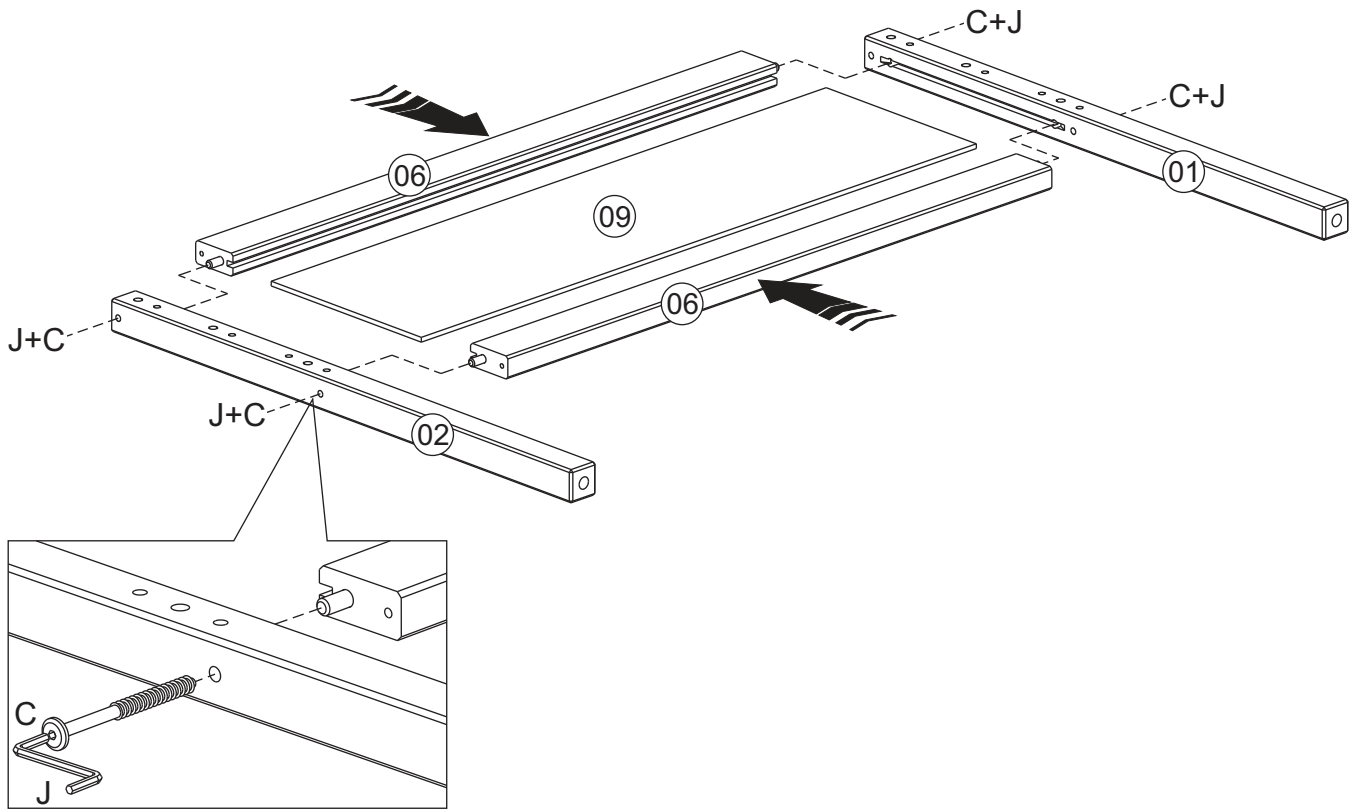
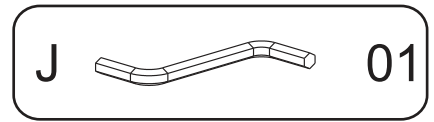
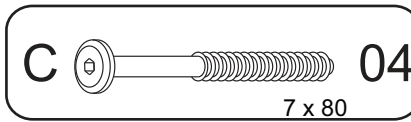
J



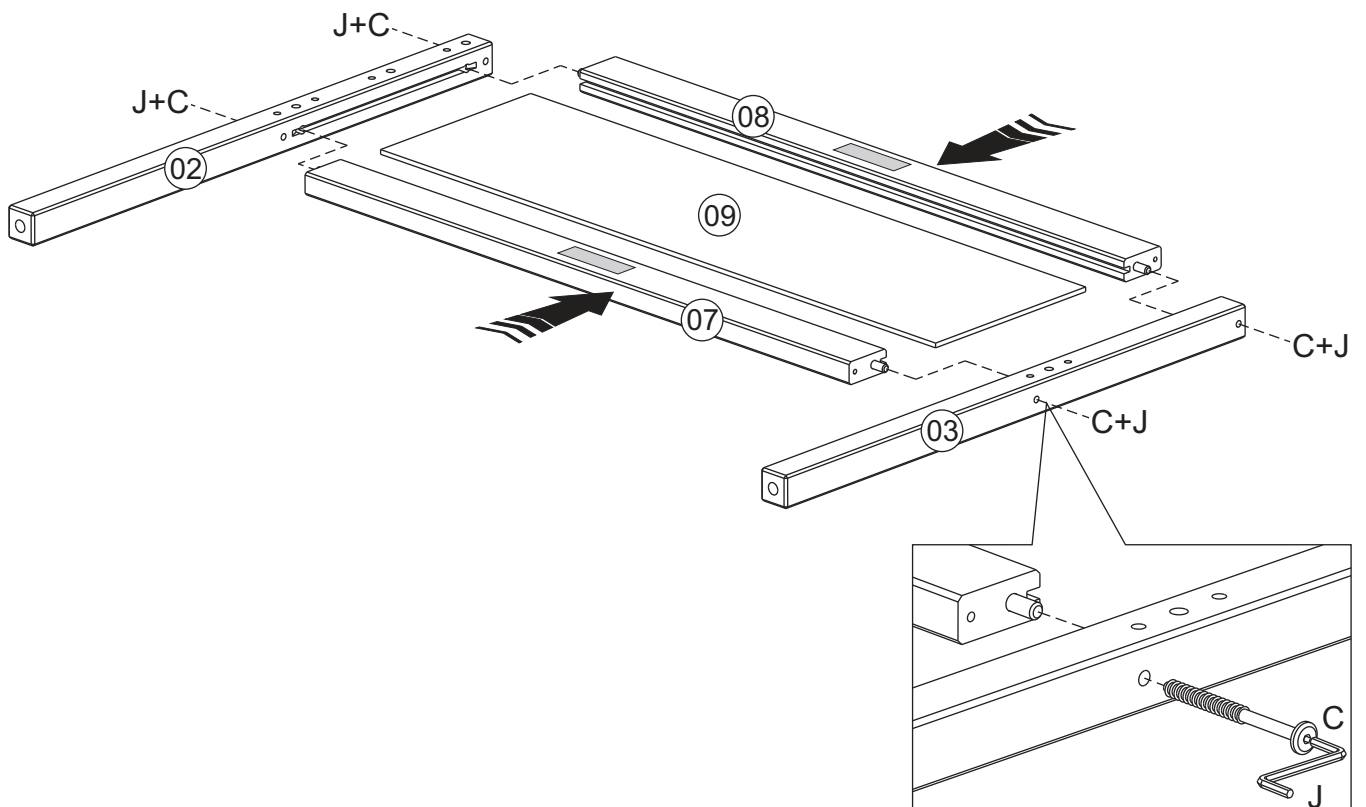
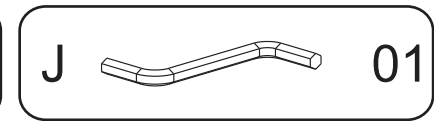
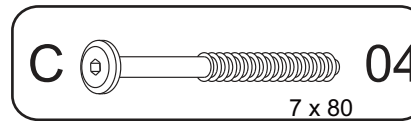
01




03




04

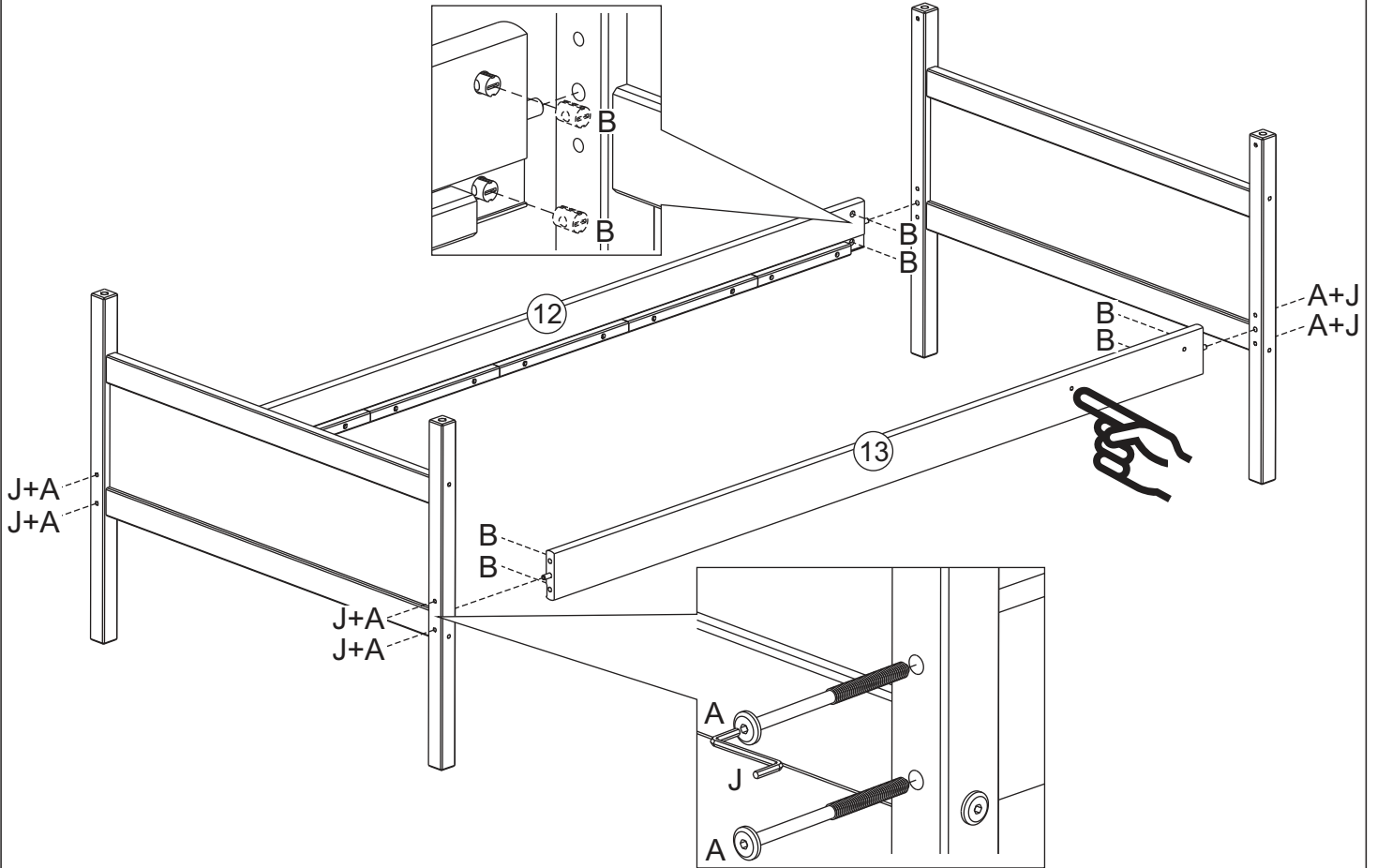


05

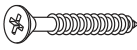
A  08
1/4 x 90


B  08
1/4

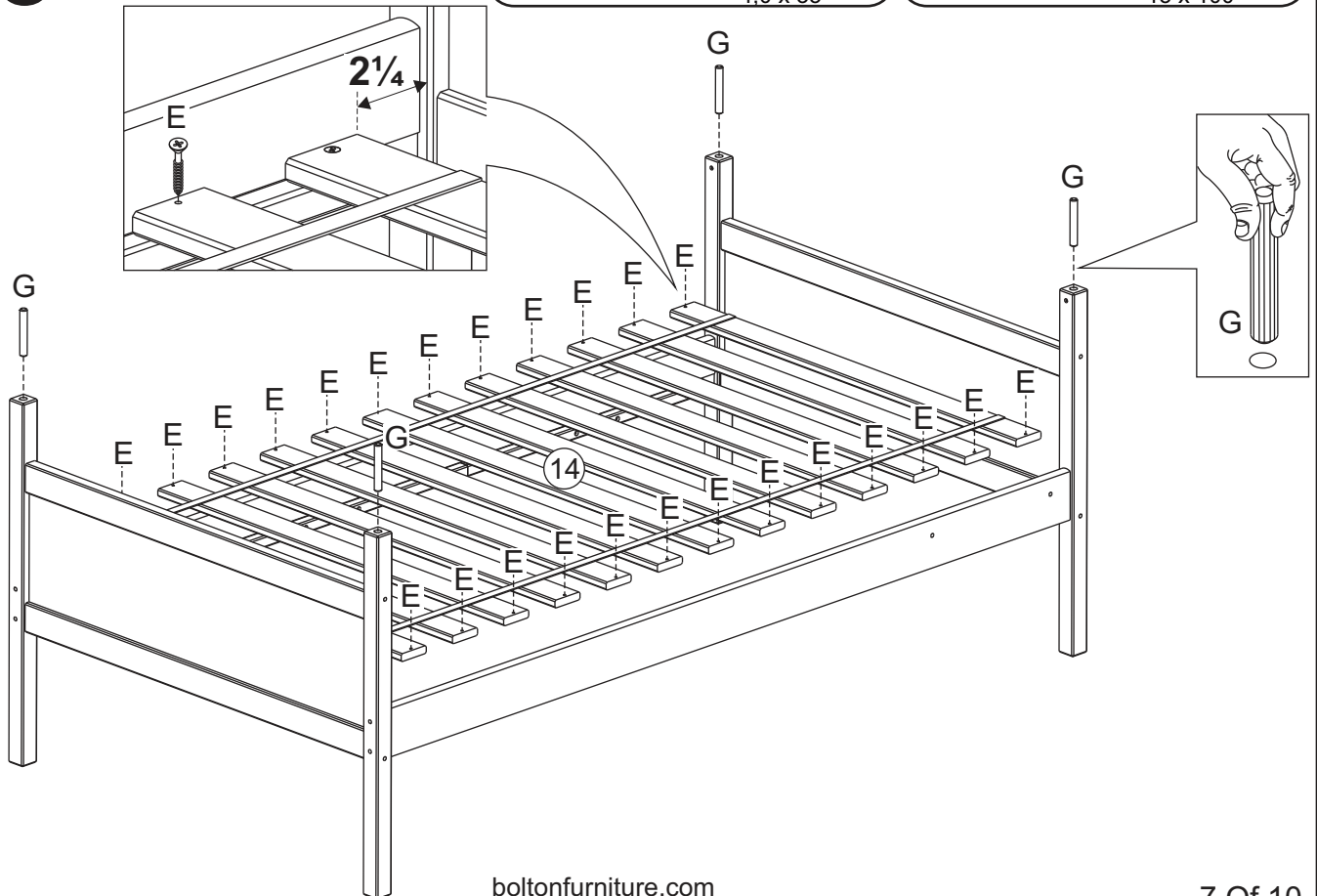
J  01




06

E  26
4.0 x 35


G  04
15 x 100




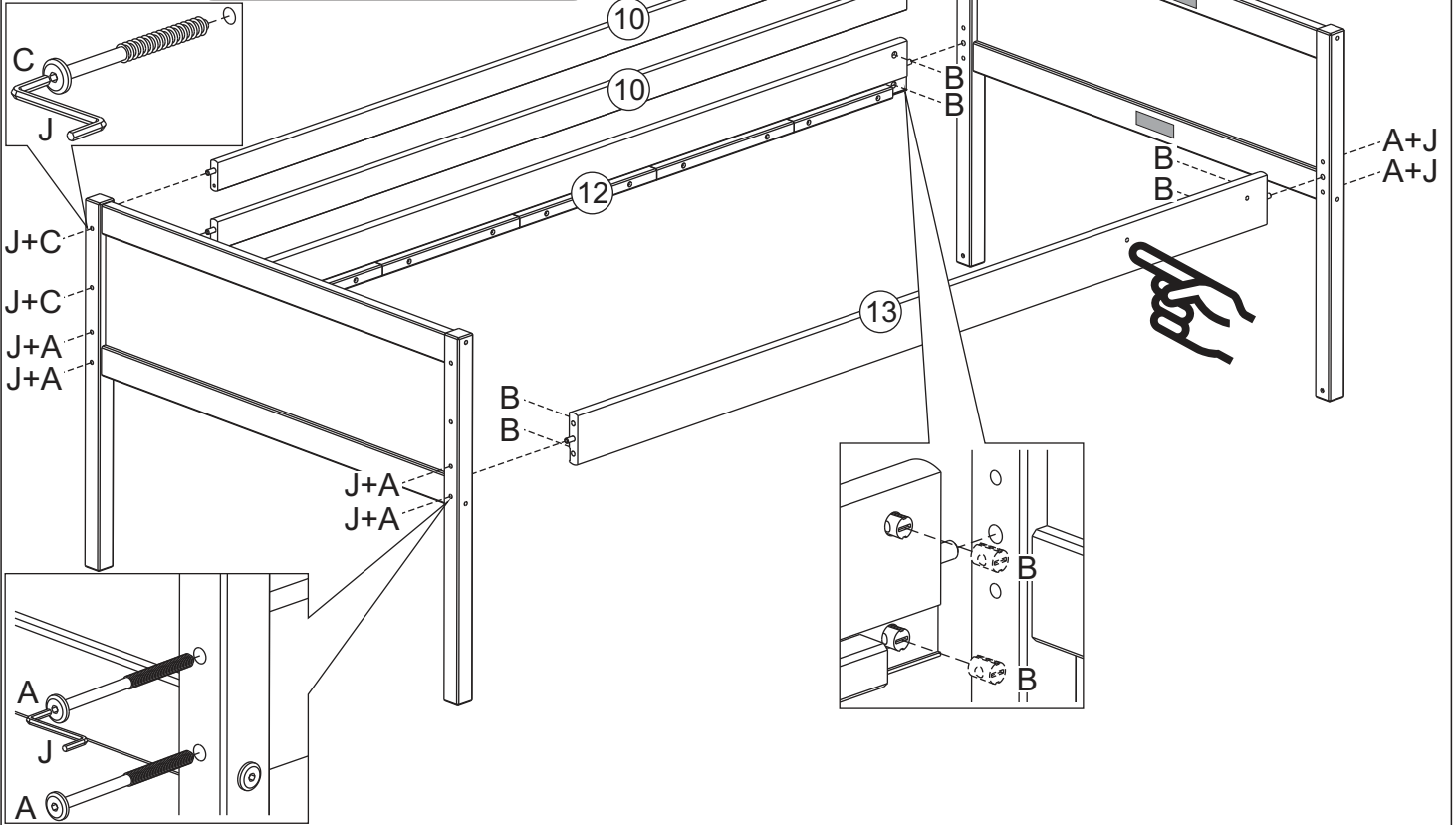
07

A  08
1/4 x 90


B  08
1/4

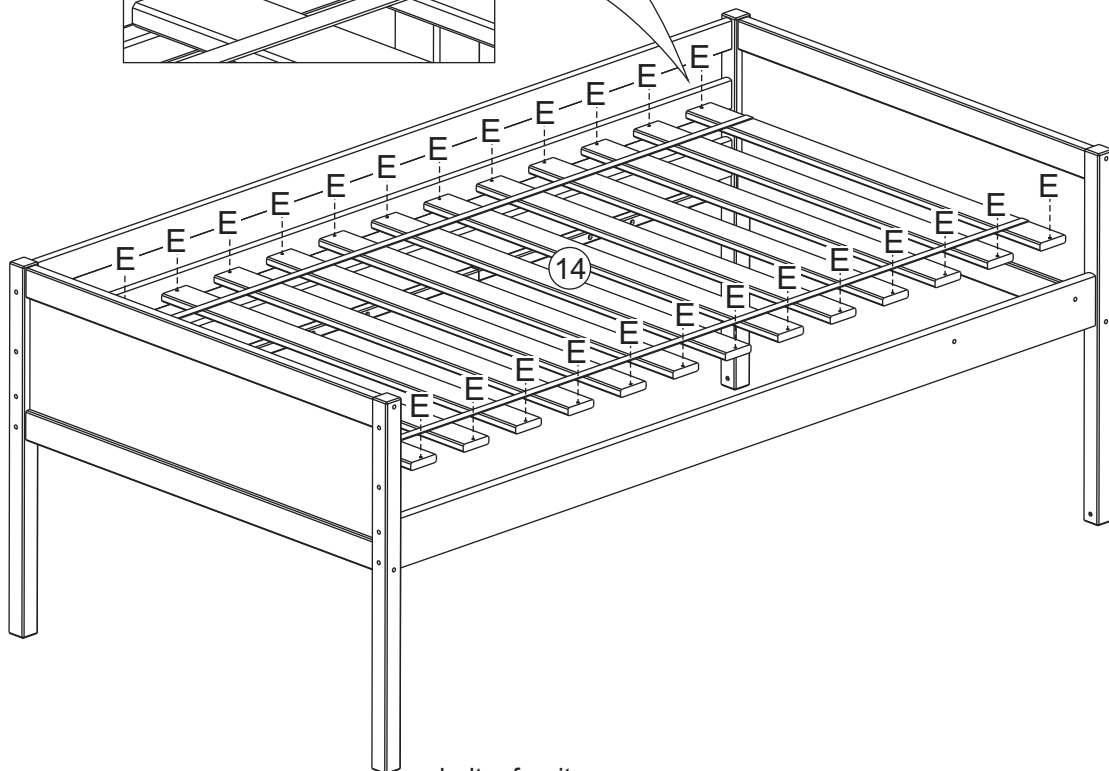
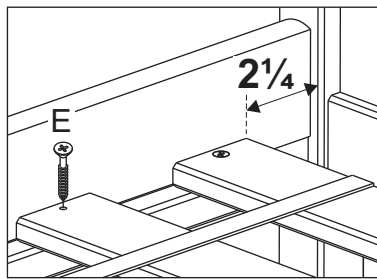
C  04
7 x 80

J  01

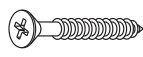


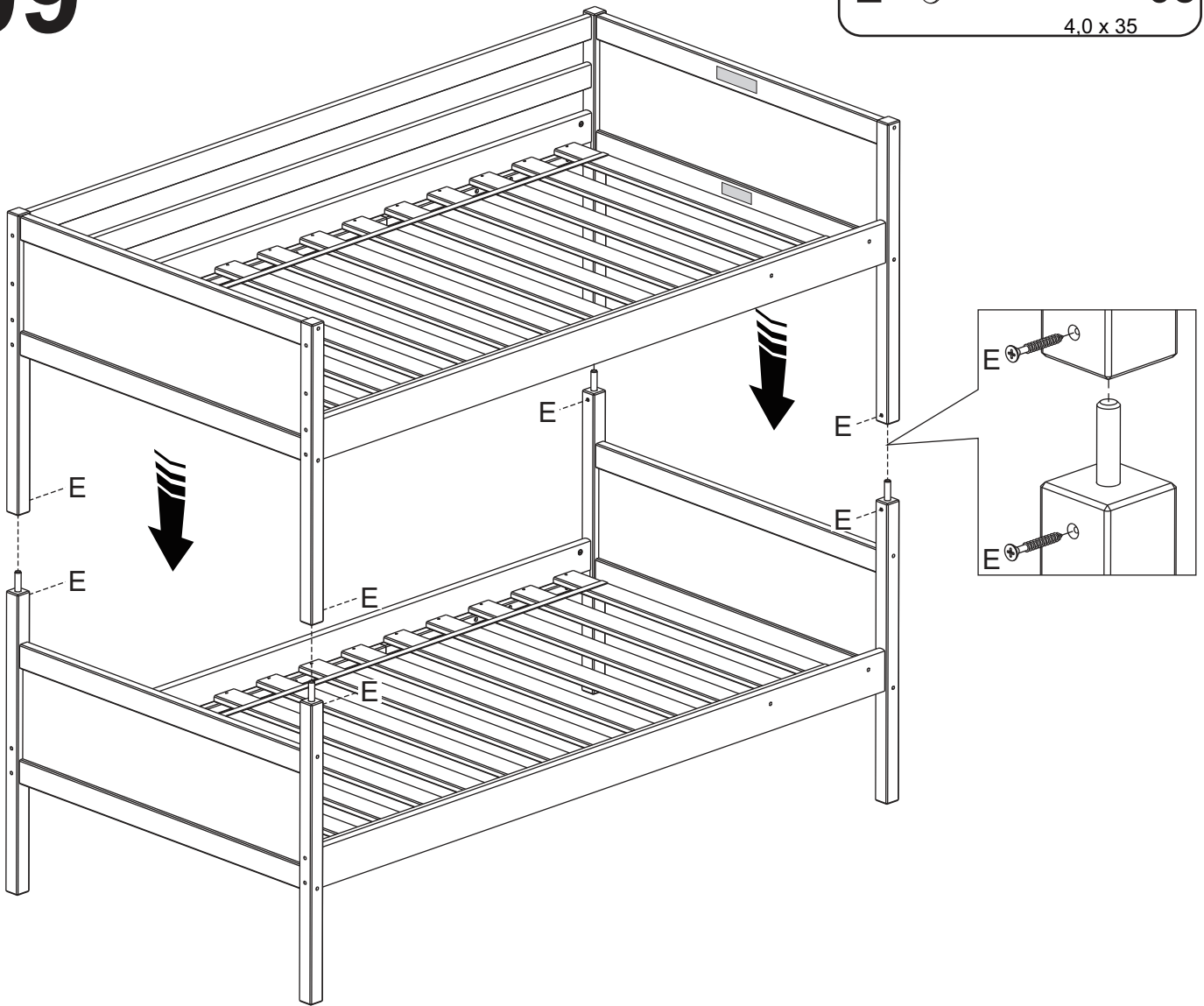
08

E  26
4.0 x 35

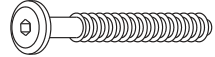



09

E  **08**
4.0 x 35



10

D  **08** **J**  **01**
7 x 60

